



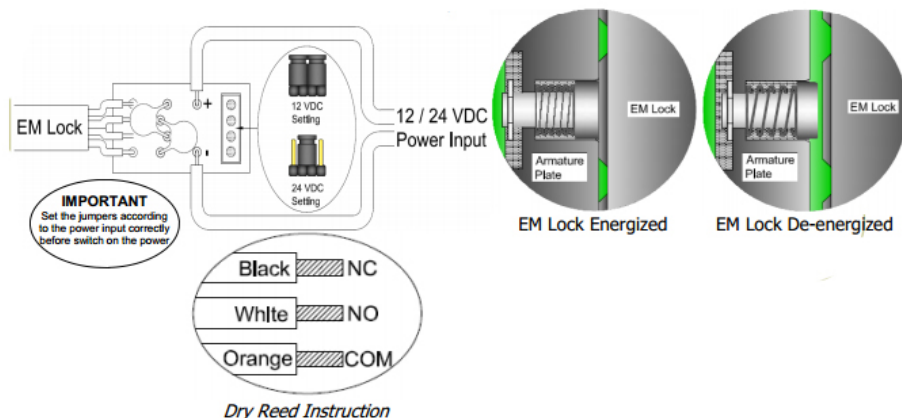
The VISIONIS Stainless Steel series electromagnetic locks are renowned with its water-proof construction for all weathers used and the heavy duty with excellent holding force.

The series compliance to CE and PSB Test are manufactured under the highest quality control to achieve the commitment to customer who always satisfied with maximum quality and reliability.

## Features

- Dual Voltage Selectable (12 VDC or 24 VDC)
- Low Current Consumption
- Reliable Holding Force
- Reed Contact Monitoring Output
- Durable and Silence Operation
- Cosmeticize Anodized Aluminum Casing
- Surge & Spike Protection PCB
- Full Range of Optional Brackets
- Zero Residual Magnetism Design

Model No.	VS-MOR.600-C/W
Voltage Input	12 VDC / 24 VDC
Current Draw	12V / 480mA ; 24V / 240mA (±5%)
Holding Force	600 lbs (272 kg)
Dry Reed Contact (Max)	100VDC, 0.25A, 3W
Anti-Rust Surface Treatment	Blue Zinc Plating
Operating Temperature	0°C~55°C ( 32°F~131°F)
Operating Humidity	0~95% ( non condensing)
Weight (Magnet)	1.0 kg (±1%)
Dimensions	Magnet - (L)228x(W)38x(T)27 mm - (L)8.98x(W)1.50x(T)1.06 in. Armature - (L)180x(W)38x(T)11 mm - (L)7.09x(W)1.50x(T)0.43 in.



**Disclaimer:** VISIONIS reserve the right to go ahead with any modifications of models or features or price without forewarning. All the information and specifications stated in this document are current at the time of publication. Attention: We are not responsible for the improper installation of this kit. If you are not handy with electrical equipment you should contact a professional electrician. You will also need to check with your local Fire authority to see if you need anything else to comply with local Fire Codes. We are not responsible for any damage or fees that can occur.



sales@visionistech.com



www.visionistech.com