



Features

- Arm 7 processor, RTOS system, new PCB circuit design
- Advanced access control function, including multi-card, first card, interlock and anti-passback, etc.
- Multiple authentication mode, it supports card, password, card + code and fingerprint.
- TCP/IP communication mode, there is 5 SOCKET port.
- Optical coupling isolation protection, more stable
- Record capacity can be extended, it can be 130, 000pcs
- Alarm linkage and relay self-defined.
- Bus bar for easy connection.
- Available space for a 7AH battery back up.
- Breaker switch.
- Fire alarm extension board.

Hardware Design

New design and new integration, it supports TCP/IP communication mode and have 5 SOCKET port.

- Large Capacity FLASH
- Multiple output and input Protection
- High/low temperature resistant design
-20°C to +65°C (-4°F~+149°F)

Multiple Authentication Management

Professional management function, manager can manage person access more efficiently and safe.

- Cancel normal open by card
- Multiple authentications
- Card failure and activate time.
- Access time segment setup

Systemic Linkage Function

Abundant ports are reserved for future usage and add to multiple events linkage, it supports illegal card alarm linkage, alarm linkage to open door etc.

Economic Access C Management

This product can ensure the cost of project is low, but device access control function is perfect.

- First Card
- Multi-card Open
- Anti-passback
- Remote Control
- Multi-door interlock
- Threaten Code
- Normal Open Automatically

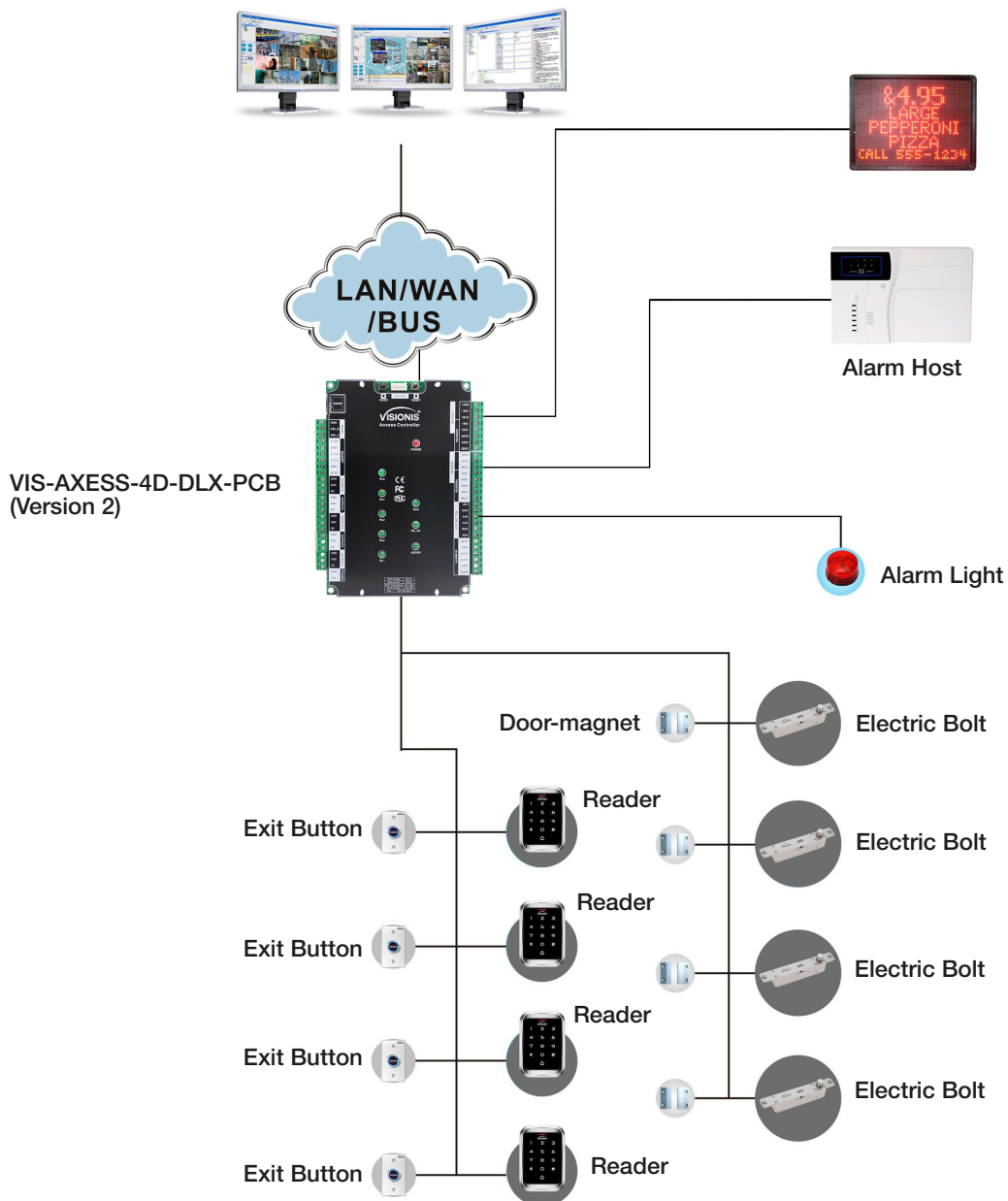


Powerful Software

When access controller work with TITAN VSAXess software, it can achieve more complex security function. Such as, access data search, employee shift, attendance statistics.

- Access Control and video device linkage
- Attendance
- On-line access control
- Real-time Remote monitoring

Topology Base On Software



Disclaimer: VISIONIS reserve the right to go ahead with any modifications of models or features or price without forewarning. All the information and specifications stated in this document are current at the time of publication. Attention: We are not responsible for the improper installation of this kit. If you are not handy with electrical equipment you should contact a professional electrician. You will also need to check with your local Fire authority to see if you need anything else to comply with local Fire Codes. We are not responsible for any damage or fees that can occur.



sales@visionistech.com



www.visionistech.com

Model No.	VIS-AXESS-4D-ETL-PCB
Access Mode	It supports card, card+ password, card or password, password
Event Type	Legal card, illegal card, anti-passback, exit button, password, threaten code
Alarm Event Type	Door-magnet alarm, self-defined alarm, threaten code alarm
Linkage Function	All event and alarm can linkage any or multiple relay output
Access Group	200 group
Holiday Schedule	300
User Capacity	20000
Record Capacity	70000
Reader Port	4
Exit Button Port	4
Door-magnet Port	4
Lock Output	4
Door-magnet Alarm Output	1
Self-defined Alarm Output	1
Self-defined Alarm Input	4
Communication Port	10/100MTCP/IP, 1 extension RS485 communication port
Input Protection	Opto-isolator protection
Output Protection	Varistor Protection
Extension Function	It supports LED displayer, alarm host and so on
Video Recording and Snapshot	All Event and alarm can linkage any video to record or snapshot by software
First Card	Any cards can be first card
Multiple Cards	To open a door by multiple cards, manager can set 4 cards to open a door at most
Remote Control	Any doors can be opened by center authentication
Forced Control	User can open/close door forcibly
Threaten Code	6 digits password, it is used in some special situation
Open by Password	Each of user have a group password
Timed Normal Open	User can setup three time-segment to let door open timed
Door Bolt Mode	It can open door by card during some special time



Model No.	VIS-AXESS-4D-ETL-PCB
Timed Invalidation for Exit Button	Exit button invalidation can be set for three time-segments
Anti-passback	Two readers or all readers can be set in a group
Temporary Card Quantity	All users can be set as temporary cards
Self-defined Input/Output	User can self-define input/output function to relative relay
Activate/dismiss security	By manually: Any user card can be appointed to activate/dismiss security function By software: Activate/dismiss security function can be realized by software
Communication Security	Password encryption during data transmission
Transmission Mode	It supports TCP, UDP, RTP and multicast mode
Data Storage Mode	Cycled storage
Dimensions	178 x 120 x 20mm (7.0 x 6.69 x 0.79in.)

IMPORTANT: These access control panels (Version 2.0) are only compatible with access control panels (Version 2.0) and with the Titan VSAccess software. They are not compatible with access control panels (Version 1.0) nor with VSAccess software.



Disclaimer: VISIONIS reserve the right to go ahead with any modifications of models or features or price without forewarning. All the information and specifications stated in this document are current at the time of publication. Attention: We are not responsible for the improper installation of this kit. If you are not handy with electrical equipment you should contact a professional electrician. You will also need to check with your local Fire authority to see if you need anything else to comply with local Fire Codes. We are not responsible for any damage or fees that can occur.



sales@visionistech.com



www.visionistech.com