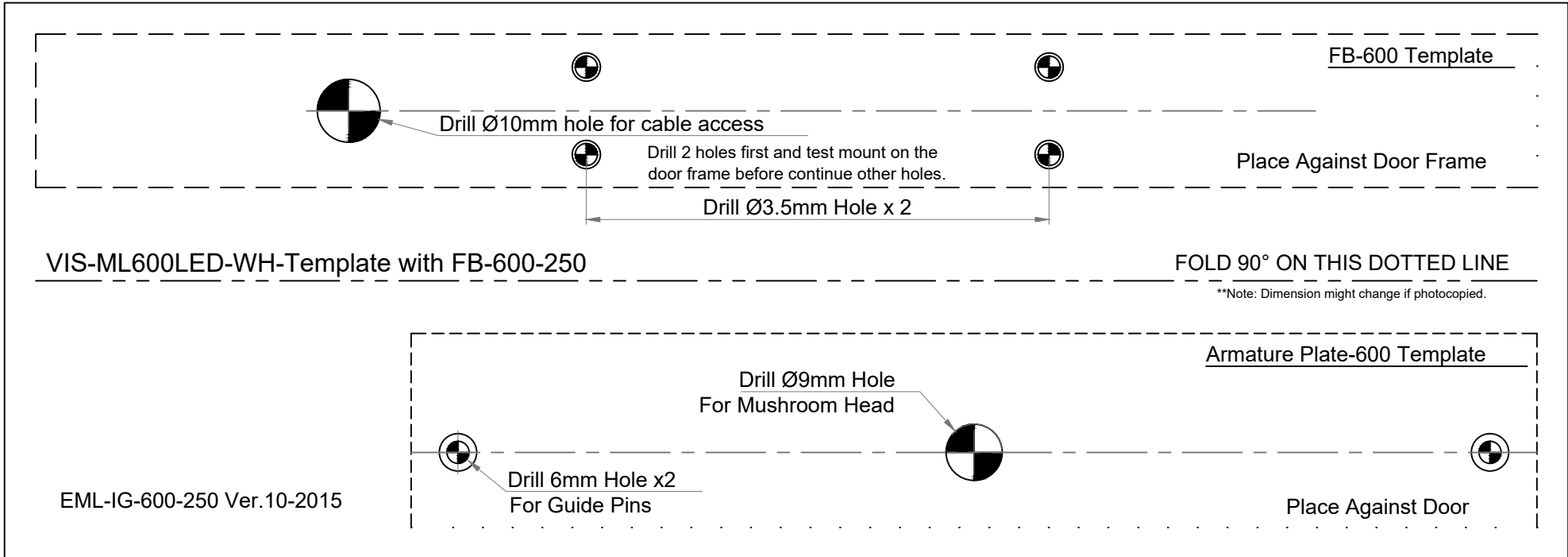


VIS-ML600LED-WH EM Lock General Installation Guide Template Layout

Hard Paper Thickness: 0.25mm



*Layout outcome without the dimension

Date Draw :	1/10/2015	Scale :	NTS	Quantity :		Format :	A 4
Note :		Material :	-	Unit :	mm	Page :	
		Product Title :	VIS-ML600LED-WH Installation Template			Rev. :	1
		Drawing No. :	VIS-ML600LED-WH/FB-600-250				