

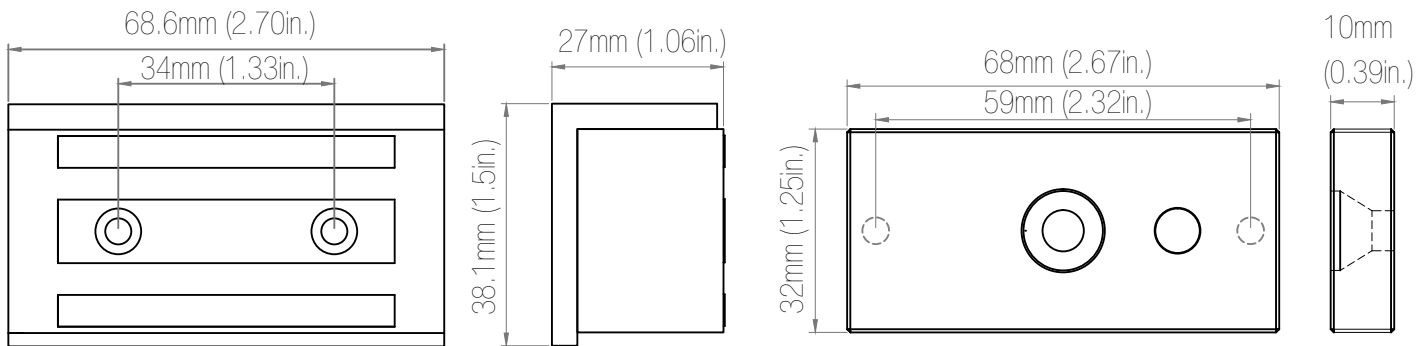
Installation Guide



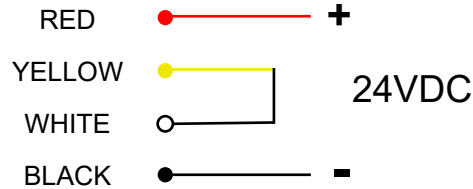
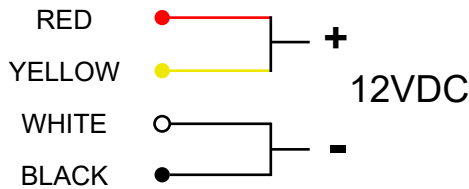
VIS-ML120 is a mini 140lbs maglock, it is designed for cabinet doors and easy to install. Accessories are available for an In swing door, frameless glass door and narrow doorframe door.

Spec	Model	VIS-ML120
Holding Force		Up to 140lbs (64kg)
Voltage Input		12VDC / 24VDC
Current Draw		200mA / 100mA
Dimension Magnet		36 x 69 x 26 mm (1.41 x 2.71 x 1.02 in.)
Dimension Armature		68 x 32 x 10 mm (2.67 x 1.25 x 0.39 in.)

Dimensions



Wiring Instructions



IMPORTANT NOTICE: Before the power supply is switched on, set the wiring correctly.

Caution:

1. Do not over tighten the screw of armature plate when fixed because proper elasticity should be guaranteed for the rubber washer so the armature plate should be adjust itself to the appropriate position.
2. It is recommended that to apply a light coat of silicon lubricant to the mating surface on a monthly basis to prevent rust.
3. Connect the power wires accordance with NFPA 101 & all wiring to be completed inside protect area.



Disclaimer: VISIONIS reserve the right to go ahead with any modifications of models or features or price without forewarning. All the information and specifications stated in this document are current at the time of publication. Attention: We are not responsible for the improper installation of this kit. If you are not handy with electrical equipment you should contact a professional electrician. You will also need to check with your local Fire authority to see if you need anything else to comply with local Fire Codes. We are not responsible for any damage or fees that can occur.

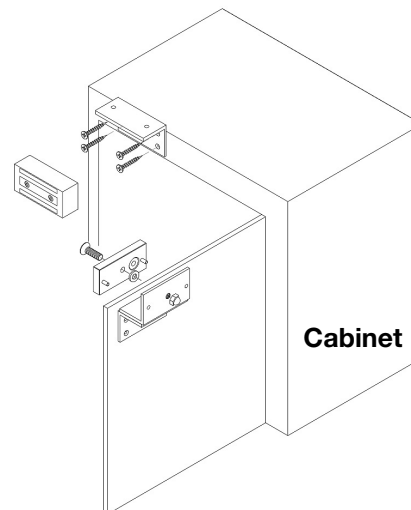
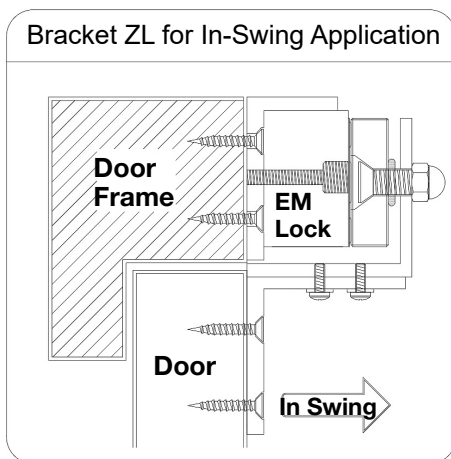
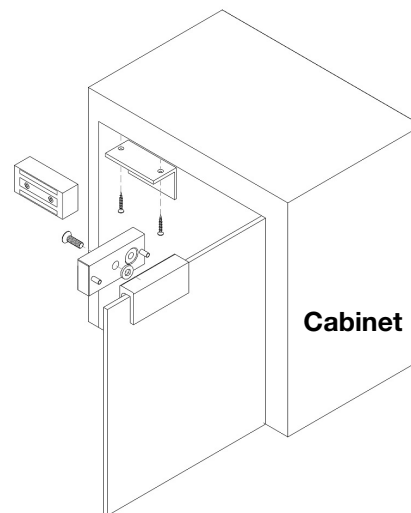
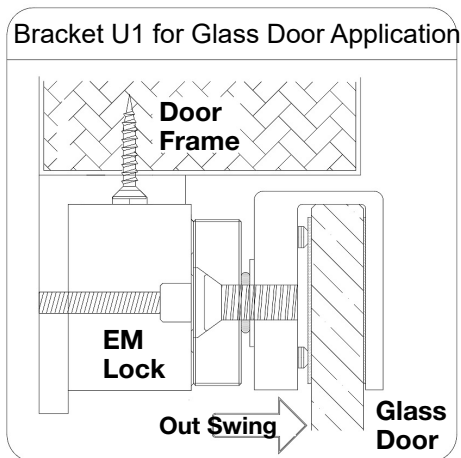
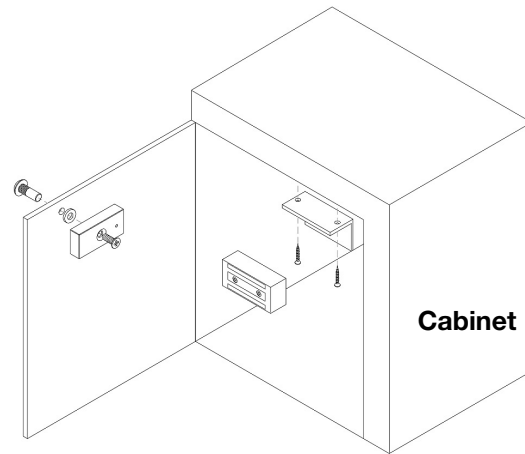
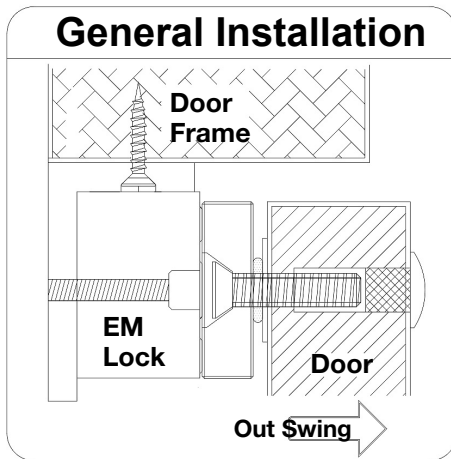


sales@visionistech.com



www.visionistech.com

Basic Installation Concept & Accessories



Disclaimer: VISIONIS reserve the right to go ahead with any modifications of models or features or price without forewarning. All the information and specifications stated in this document are current at the time of publication. Attention: We are not responsible for the improper installation of this kit. If you are not handy with electrical equipment you should contact a professional electrician. You will also need to check with your local Fire authority to see if you need anything else to comply with local Fire Codes. We are not responsible for any damage or fees that can occur.



sales@visionistech.com



www.visionistech.com