

VISIONIS®

1 Door Controller for Access Control Systems with No Software



User Manual VIS-MINI-CNTRL

www.visionistech.com

INTRODUCTION

The VIS-MINI-CNTRL is a mini single door control panel, can work with any entry device Wiegand 26-44, 56, 58 bits output reader. Card type depends on the reader, example: EM, HID, and MFR card types. It uses Atmel microcontroller to assure stable performance and equips with an infrared remote control for easy operation. The VIS-MINI-CNTRL supports 1,000 users; all user data can be transferred.

If the VIS-MINI-CNTRL is connected to a keypad/reader you must first set the keypad into Wiegand mode for it to communicate correctly with the VIS-MINI-CNTRL. (Refer to page No. 8). All programming will be done in the VIS-MINI-CNTRL but not on the keypad/reader. It is also highly suggested to change the master code in the VIS-MINI-CNTRL. (Refer to page No. 7 and page No. 8).

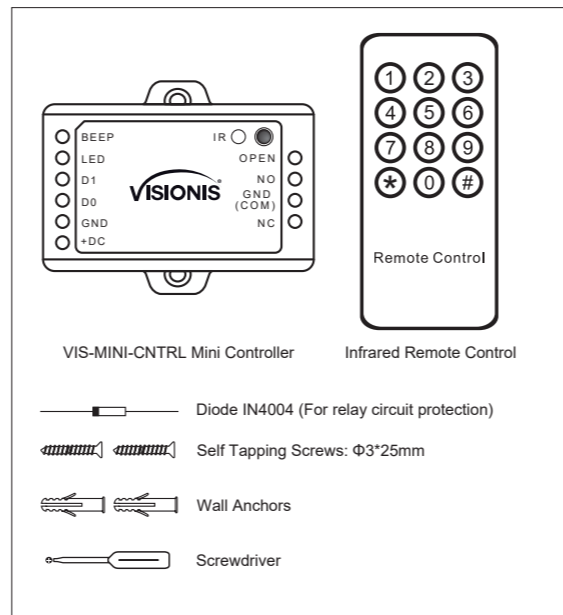
Features

- 12V DC power input
- One relay, 1000 users
- Multi access modes: Card, card or PIN, and multi cards/PINs
- Wiegand 26-44, 56, 58bits input
- Can connect with any reader with Wiegand 26-44, 56, 58bits output
- Can connect with any keypad reader with 4bits, 8bits (ASCII), or 10bits virtual number output
- User data can be transferred (except fingerprint users)
- 2 devices can be interlocked for 2 doors
- Support Master Card and Authorized User

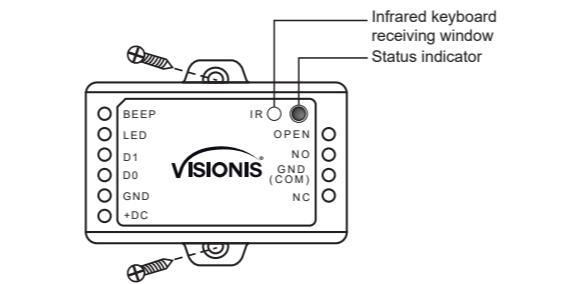
Specifications

User Capacity	1,000
Common User	989
Visitor User	10
Authorized User	1
Operating Voltage	12V DC
Idle Current	<100mA
Active Current	<150mA
Wiring Connections	Relay output, exit button, Wiegand input
Relay	One (NO, NC, Common)
Adjustable Relay Output Time	0-99 Seconds (5 seconds default)
Lock Output Load	2 Amp Maximum
Wiegand Interface	Wiegand 26-44, 56, 58bits
Operating Humidity	Indoor
Environment	0-90%RH
Physical Dimensions	ABS Shell
Shipping Weight	1.65 x W54 x H19 (mm)
Unit Weight	L2.56 x W2.13 x H0.75 (in.)
	40g
	100g

Carton Inventory



INSTALLATION



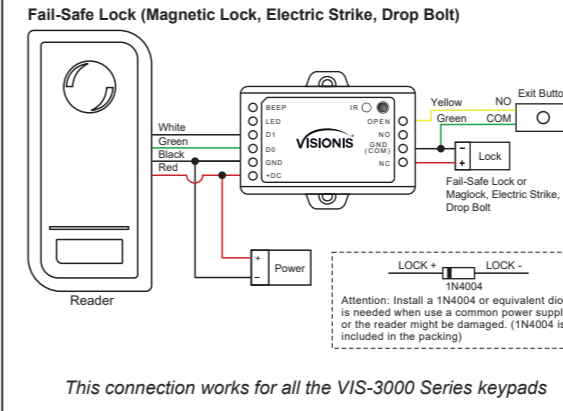
Wiring

Name	Notes
The Left Side	
LED	Green LED Light Control
D1	Wiegand Input Data 1
D0	Wiegand Input Data 0
GND	Negative Pole of DC (12V DC) Power Input
+DC	Positive Pole of DC (12V DC) Power Input
The Right Side	
OPEN	Connect to One Wire of Exit Button
NO	Normally Open Relay Output (install diode provided)
GND	Negative Pole of Lock (Common Connection for Relay Output)
(COM)	(Common Connection for Relay Output)
NC	Normally Closed Relay Output (install diode provided)

Sound and Light Indication

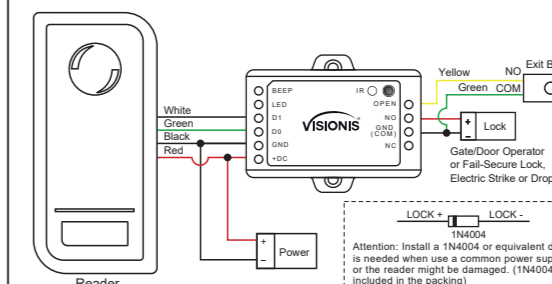
Operation Status	LED	Buzzer
Stand by	Red light bright	
Enter programming mode	Red light shines	One beep
In the programming mode	Orange light bright	One beep
Operation error	—	Three beeps
Exit from the programming mode	Red light bright	One beep
Open lock	Green light bright	One beep
Alarm	Red light shines quickly	Beeps

Connection Diagram



This connection works for all the VIS-3000 Series keypads

Fail-Secure Lock (Electric Strike or Drop Bolt) or Door/Gate Operator



This connection works for all the VIS-3000 Series keypads

Remark:

The power supply's voltage must be the same with lock's supply voltage, or else, the lock will not work properly or be damaged.

User Operation & Reset to Factory Default

- **Open the door:** Read valid user card or input valid user PIN
- **Remove Alarm:** Input Master Code # or read Master Card or valid user card / PIN
- **To reset to factory default & Add Master Cards:** Power off, press the Exit Button (or connect "OPEN" and "GND" to be short circuit), hold it and power on, there will be two beeps, then release the exit button (or disconnect "OPEN" and "GND"), the LED light turns into yellow, then read any 125KHz EM card or HID card or 13.56MHz Mifare card, the LED will turn into red, means the reset to factory default was successful. Of the card reading, it is the Master Card.

Remark:

- ① The type of the Master Card is according to the external reader. For example, the external reader is 125KHz HID reader, then the Master Card must be 125KHz HID card.
- ② If no Master Card is added, must press the Exit Button for at least 5 seconds before release. (This will make the previous registered Master Card invalid)
- ③ Reset to factory default, the user's information is still retained.

PROGRAMMING

Programming will vary depending on access configuration. Follow the instructions according to your access configuration.

Notes:

- **Remote Control:** Please use the Infrared Remote Control to program the VIS-MINI-CNTRL. The "IR" on the VIS-MINI-CNTRL is the infrared receiving window, please direct the Remote Control to it.
- **Cards** can be read on the RFID/Keypad/Fingerprint readers only.
- **PINs** can be input/added on either the remote control or the external Keypad Reader, except when the Keypad Reader is 10 digits virtual card number output, the PIN(s) can only be input/added through the Keypad Reader.

• **User ID Number:** Assign a user ID to the user in order to track it. The common user ID: 0-988
Authorized User ID: 989
Visitor User ID: 990-999

IMPORTANT: User IDs do not have to be processed with any leading zeros. Recording of User ID is critical.
PIN: Can be any 4-6 digits.

Enter and Exit Program mode

Programming Step	Keystroke Combination
1. Enter Program Mode	* (Master Code) # (Factory default is 123456)
2. Exit Program Mode	*

Set Master Code

Programming Step	Keystroke Combination
1. Enter Program Mode	* (Master Code) #
2. Update Master Code	0 (New Master Code) # (Repeat New Master Code) # (code: 6 digits)
3. Exit Program Mode	*

Add Users with Remote Control

VIS-MINI-CNTRL Connected with Card Reader:
For the readers develop together with VIS-MINI-CNTRL, such as 3000 Series readers, skip the below step 1. For other card readers, set the VIS-MINI-CNTRL's Wiegand input as below step 1 according to the Wiegand output of the readers.

VIS-MINI-CNTRL Connected with Keypad Reader:

Can be any Keypad Reader with 4bits, 8bits (ASCII), 10bits output format. Set the VIS-MINI-CNTRL as below step 1 according to the Wiegand output and PIN output format of the Keypad Reader.

The 3000 series keypad must be set to Wiegand mode by entering the following sequence (in the keypad itself):
Press: *, master code (Default is 999999) #, 310, #, **

PIN(s) can be input/added on either the remote control or the external Keypad Reader, except when the Keypad Reader is 10 digits virtual card number output, the PIN(s) can only be input/added through the Keypad Reader.

Set Wiegand Format

Programming Step	Keystroke Combination
1. Enter Program Mode	* (Master Code) #
2. Wiegand Format Auto-Identification	8 0 # (factory default)
OR	
2. Specified Wiegand Format	8 (26-44, 56, 58) #
3. Exit Program Mode	*

Add Common Users

PIN/Card user ID: 0-988; PIN length: 4-6 digits

Programming Step	Keystroke Combination
1. Enter Program Mode	* (Master Code) #

Add Card User

2. Using Auto ID: (Allows VIS-MINI-CNTRL to assign Card to next available User ID number)
OR
2. Select Specific ID (Allows the device to define a specific User ID to associate the card to)

2. Add Card: Block Enrollment (Allows Master to add up to 988 cards to the Reader in a single step.) Takes 2 minutes to program

The 3000 series keypad must be set to Wiegand mode by entering the following sequence (in the keypad itself):
Press: *, master code (Default is 999999) #, 310, #, **

PIN(s) can be input/added on either the remote control or the external Keypad Reader, except when the Keypad Reader is 10 digits virtual card number output, the PIN(s) can only be input/added through the Keypad Reader.

Add PIN User

2. Using Auto ID (Allows VIS-MINI-CNTRL to assign PIN to next available User ID number)
OR
2. Select Specific ID (Allows the device to define a specific User ID to associate the PIN to)

Tips for PIN Security (Only valid for 6 digits PIN):
For higher security we allow you to hide your correct PIN with other numbers up to a max. of 9 digits.
Example PIN 123434
You could use *(123434)** or *(123434)*** (can be any numbers from 0-9)

VIS-MINI-CNTRL Connected with Fingerprint Reader:
For example: Connect the fingerprint reader to VIS-MINI-CNTRL, two steps to enroll the valid fingerprint.
(1) Add the Fingerprint (A) on the reader
(2) Add the same Fingerprint (A) on VIS-MINI-CNTRL as below:

1	Enter Program Mode: * (Master Code) #
2	1 (Press Fingerprint A on the reader) (Repeat Fingerprint A on the reader) # (ID auto allocated)
OR	
2	1 (User ID) # (Press Fingerprint A on the reader) (Repeat Fingerprint A on the reader) # (Select specific ID)
3	Exit: *

Add Authorized User

Programming Step	Keystroke Combination
1. Enter Program Mode	* (Master Code) #
2. Add Card	1 (User ID) # (Read Card / Input 8/10 Digits Card Number) #
OR	
2. Specified Wiegand Format	1 (User ID) # (PIN) #
3. Exit Program Mode	*

Remark:

Authorized user can be card or PIN, read the Authorized Card or input Authorized PIN, then all valid users can't access; Read the Authorized Card or input Authorized PIN again, then all valid users can access again.

Add Visitor Users:

(User ID number is 990-999; PIN length: 4-6 digits). There are 10 groups Visitor PIN/ card available, the users can be specified up to 10 times of usage, after a certain number of times, i.e. 5 times, the PIN/card become invalid automatically.

Programming Step	Keystroke Combination
1. Enter Program Mode	* (Master Code) #
2. Add Card	1 (User ID) # (0-9) # (Read Card / Input 8/10 Digits Card Number) #
OR	
2. Specified Wiegand Format	1 (User ID) # (0-9) # (PIN) #
3. Exit Program Mode	*

Delete Users

Programming Step	Keystroke Combination
1. Enter Program Mode	* (Master Code) #
2. Delete User - By Card/PIN	2 (Read Card) / (Input PIN) #
OR	
2. Delete User - By ID number	2 (User ID) #
OR	
2. Delete User - By Card number	2 (Input 8/10 digits card number) #
OR	
2. Delete All User	2 (Master Code) #
3. Exit Program Mode	*

Set Relay Configuration

The relay configuration sets the behavior of the output relay on activation.

Programming Step	Keystroke Combination
1. Enter Program Mode	* (Master Code) #
2. Pulse Mode	3 (1-99) # (Factory default) The relay time is
OR	
2. Toggle Mode	3 0 # (Factory default is 5 seconds)
3. Exit Program Mode	*

Set Access Mode

Programming Step	Keystroke Combination
1. Enter Program Mode	* (Master Code) #
2. Card access	4 0 #
OR	
2. Card + PIN access	4 1 #
OR	
2. Card or PIN access	4 3 (Factory default)
OR	
2. Multi cards/PINs access	4 3 (2-9) #
3. Exit Program Mode	*

Set Strike-out Alarm

The strike-out alarm will engage after 10 failed entry attempts (Factory is OFF). It can be set to deny access for 10 minutes after engaging or disengage only after entering a valid card/PIN or Master code/card.

Programming Step	Keystroke Combination
1. Enter Program Mode	* (Master Code) #
2. Strike-Out OFF	6 0 # (factory default)
OR	
2. Strike-Out ON	6 1 #
OR	
2. Strike-Out ON (Alarm)	6 2 #
OR	
2. Strike-Out ON (Alarm)	6 (0-3) # (Factory default is 1 minute)
Set Alarm Time	Enter Master Code # or Master Card or valid User card/PIN to silence
3. Exit Program Mode	*

Set Audible and Visual Response

Programming Step	Keystroke Combination
1. Enter Program Mode	* (Master Code) #
2. Disable Sound	7 0 #
OR	
2. Enable Sound	7 1 # (factory default)
OR	
2. LED Always OFF	7 2 #
OR	
2. LED Always ON	7 3 # (factory default)
3. Exit Program Mode	*

Master Card Usage

Using Master Card to add and delete users	Keystroke Combination
Add Card/PIN Users	1. Input (Master Card) 2. Input (Card) or (PIN) # Repeat step one for additional users 3. Input (Master Card) again
Delete Card/PIN Users	1. Input (Master Card Twice within 5s) 2. Input (Card) or (PIN) # Repeat step one for additional users 3. Input (Master Card) again

Advanced Application

Collection Card Mode

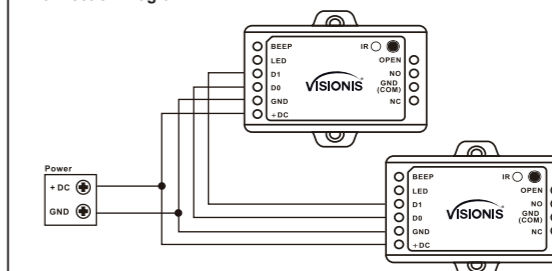
After this mode is turned on, all the cards can open the lock, at the same time, all cards are added in the device.

Programming Step	Keystroke Combination
1. Enter Program Mode	* (Master Code) #
2. Collection Card Mode OFF	9 2 # (factory default)
OR	
2. Collection Card Mode ON	9 3 #
3. Exit Program Mode	*

User Information Transfer (Valid for Card/PIN Users)

The enrolled user can be transferred from a "Master" unit to a "Slave" unit. The Master code must be the same in the "Master" and the "Slave" unit.

Connection Diagram:



Remarks:

- The Master Units and Accept Units must be VIS-MINI-CNTRL.
- The Master Code of the Master Unit and the Accept Unit(s) must be set to the same.
- Program the transfer operation on Master Unit only.
- If the Accept Unit(s) are already with the users enrolled, it will be covered after transfer.
- For full 986 users enrolled, the transfer takes about 30 seconds.

Set Transferring on Master Unit:

Programming Step	Keystroke Combination
1. Enter Program Mode	* (Master Code) #
2. Set transferring	9 8 #
3. Exit Program Mode	*

Within 30 seconds, Green LED shines, after one beep, the LED will turn RED, which means the users' information has been transferred successfully.