



VIS-FFSD2 face recognition terminal is a kind of access control device integrated with temperature screening function.

It can fast taking skin-surface temperature and upload abnormal temperature event to the center, which can be widely applied in multiple scenarios, such as enterprises, stations, dwellings, factories, schools, campus and so on.

Features

- Supports Vanadium Oxide uncooled sensor to measure target's temperature
- Temperature measuring range: 30 °C to 45 °C (86 °F to 113 °F), accuracy: 0.1 ° C, deviation: ± 0.5 °C
- Recognition distance: 0.3 to 2 m
- Fast temperature measurement mode: Detects face and takes temperature without identity authentication
- Multiple authentication modes are available: card and temperature, face and temperature, card and face and temperature, etc
- Face mask wearing alert: If the recognizing face does not wear a mask, the device will prompt a voice reminder. At the same time, the authentication or attendance is valid
- Forced mask wearing alert: If the recognizing face does not wear a mask, the device will prompt a voice reminder. At the same time, the authentication or attendance will be failed
- Displays temperature measurement results on the authentication page
- Triggers voice prompt when detecting abnormal temperature
- Configurable door status (open/close) when detecting abnormal temperature
- Transmits online and offline temperature information to the client software via TCP/IP communication and saves the data on the client software
- Face recognition duration <0.2 s/User; face recognition accuracy rate ≥ 99%
- 50,000 face capacity, 50,000 card capacity, and 100,000 event capacity
- Suggested height for face recognition: between 1.4 m and 1.9 m
- Supports 6 attendance status, including check in, check out, break in, break out, overtime in, overtime out
- Watchdog design and tamper function
- Audio prompt for authentication result
- NTP, manually time synchronization, and auto synchronization



- Connects to external access controller or Wiegand card reader via Wiegand protocol
- Connects to secure door control unit via RS-485 protocol to avoid the door opening when the terminal is destroyed
- Imports and export data to the device from the client software
- * **In order to get an accurate temperature, after the device is powered on, you should wait for 90 min to warm the device up.**
- * **Biometric recognition products are not 100% applicable to anti-spoofing environments. If you require a higher security level, use multiple authentication modes.**

Model No.		VIS-FFSD2
Temperature Measurement	Temperature Range	30 °C to 45 °C (86 °F to 113 °F)
	Sensor	Vanadium Oxide uncooled sensor
	Resolution	120 × 160
	Frame rate	25 fps
	Measurement Accuracy	0.1 °C (32.18°F)
	Measurement Deviation	± 0.5 °C, without black body calibration
	Measuring Distance	0.3 to 2 m (0.99 to 6.57ft.)
Screen	Size	7-inch
	Type	Touch screen
	Operation Method	Touch screen
Camera	Pixel	2 MP
	Lens	Dual-lens
Network	Wired network	Support, 10/100/1000 Mbps self-adaptive
Interface	Network Interface	1
	RS-485	1
	Wiegand	1
	Lock Output	1
	Exit Button	1
	Door Contact Input	1
	Tamper	1



Disclaimer: VISIONIS reserve the right to go ahead with any modifications of models or features or price without forewarning. All the information and specifications stated in this document are current at the time of publication. Attention: We are not responsible for the improper installation of this kit. If you are not handy with electrical equipment you should contact a professional electrician. You will also need to check with your local Fire authority to see if you need anything else to comply with local Fire Codes. We are not responsible for any damage or fees that can occur.



sales@visionistech.com



www.visionistech.com

Model No.		VIS-FFSD2
Capacity	Card Capacity	50,000
	Face Capacity	50,000
	Event Capacity	100,000
Authentication	Card Type	Mifare 1 card
	Card Reading Distance	0 to 5 cm (0 to 12.7 in.)
	Card Reading Duration	< 1 s
	Face Recognition Duration	< 0.2 s per person
	Face Recognition Distance	0.3 to 2 m
Function	Face Anti-spoofing	Support
	Audio Prompt	Support
Others	Power Supply	12 VDC/2 A
	Working Temperature	0 °C to 50 °C (32 °F to 122 °F) For temperature measurement: 10 °C to 35 °C (50 °F to 95 °F)
	Working Humidity	10 to 90% (No condensing)
	Application Environment	Indoor and windless environment use only
	Dimensions	282.78(L) x 116.5(W) x 36.7(H)mm - 11.14(L) x 4.59(W) x 0.44(H)in.



Disclaimer: VISIONIS reserve the right to go ahead with any modifications of models or features or price without forewarning. All the information and specifications stated in this document are current at the time of publication. Attention: We are not responsible for the improper installation of this kit. If you are not handy with electrical equipment you should contact a professional electrician. You will also need to check with your local Fire authority to see if you need anything else to comply with local Fire Codes. We are not responsible for any damage or fees that can occur.

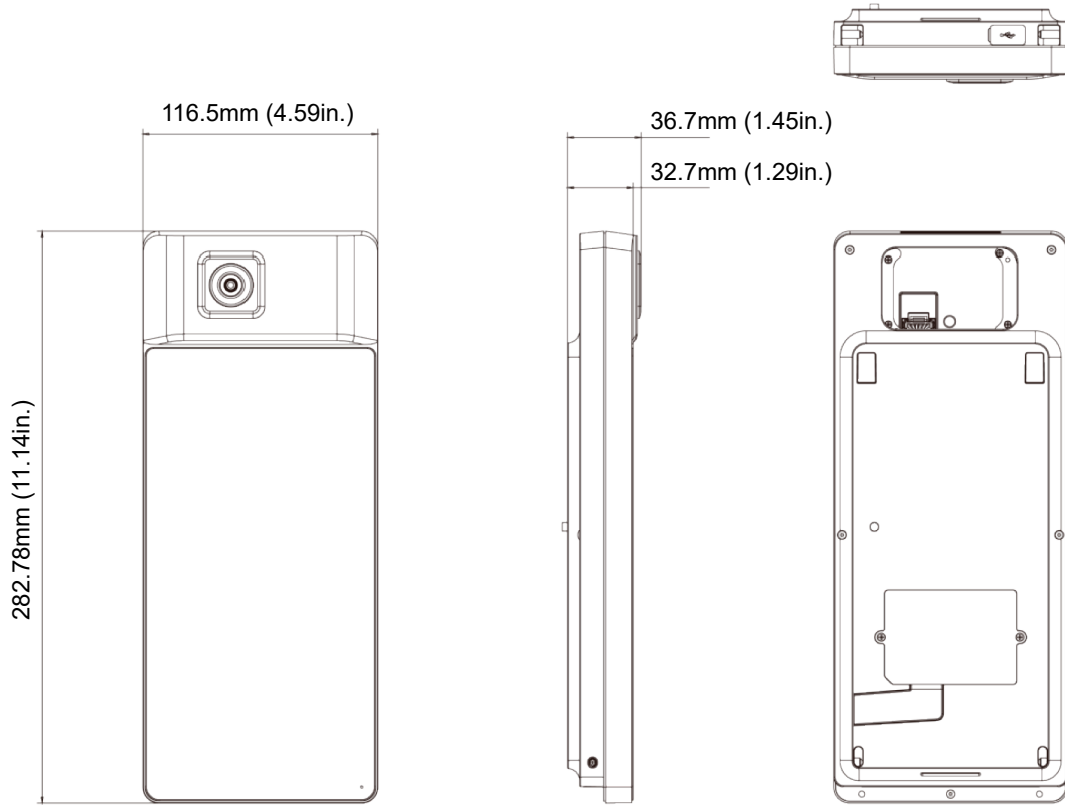


sales@visionistech.com



www.visionistech.com

Dimensions



Disclaimer: VISIONIS reserve the right to go ahead with any modifications of models or features or price without forewarning. All the information and specifications stated in this document are current at the time of publication. Attention: We are not responsible for the improper installation of this kit. If you are not handy with electrical equipment you should contact a professional electrician. You will also need to check with your local Fire authority to see if you need anything else to comply with local Fire Codes. We are not responsible for any damage or fees that can occur.



sales@visionistech.com



www.visionistech.com