

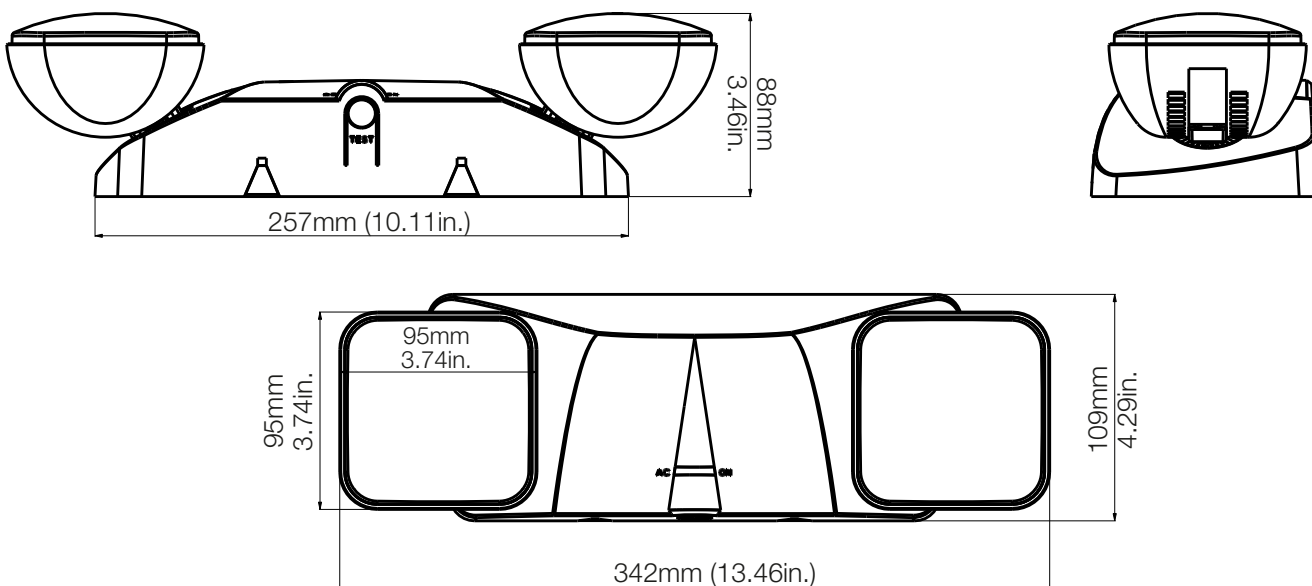


Features

- Injection-molded thermoplastic ABS housing, UL 94V-0 flame rating.
- Innovative, easy installation in minutes.
- Suitable for wall mount applications.
- Universal J-box mounting pattern.
- 120V/277VAC Dual voltage operation.
- 2X12pcs ultra bright 2835 SMT LED lamp heads for emergency mode.
- Built-in 3.6V1000mAh Nickel cadmium battery for minimum 90 minutes emergency operation.
- Maximum 24 hours for full recharge time.
- Test switch and charge indicator.
- UL and CULus listed.
- 0° to 40°C indoor damp location listed.



Dimensions



Disclaimer: VISIONIS reserve the right to go ahead with any modifications of models or features or price without forewarning. All the information and specifications stated in this document are current at the time of publication. Attention: We are not responsible for the improper installation of this kit. If you are not handy with electrical equipment you should contact a professional electrician. You will also need to check with your local Fire authority to see if you need anything else to comply with local Fire Codes. We are not responsible for any damage or fees that can occur.



sales@visionistech.com



www.visionistech.com