

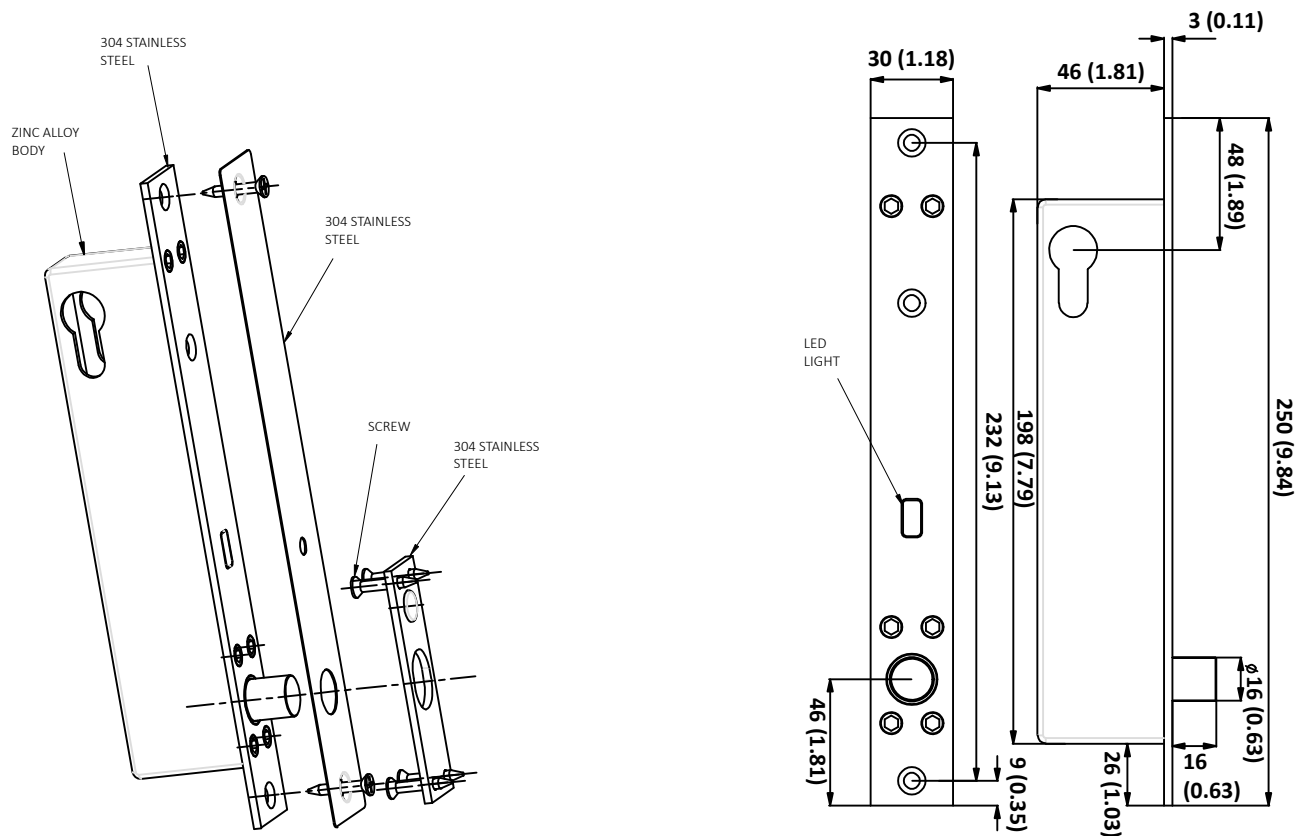


Features

- Voltage: DC 12V -24V
- Holding Force: 1200Kg (2600lbs)
- Function: Fail Secure N/O (with power is unlock)
- Time Delay: 0, 3, 6s. Unlock time delay: 6 sec (If do not push the door after unlocking, again automatically lock)
- Dimensions: 250Lx30Wx49H (mm) - 9.84Lx1.18Wx1.93H (in.)
- Product + Packaging Weight: 1.46Kg (3.22 pounds)

Dimensions

mm (in.)



Disclaimer: VISIONIS reserve the right to go ahead with any modifications of models or features or price without forewarning. All the information and specifications stated in this document are current at the time of publication. Attention: We are not responsible for the improper installation of this kit. If you are not handy with electrical equipment you should contact a professional electrician. You will also need to check with your local Fire authority to see if you need anything else to comply with local Fire Codes. We are not responsible for any damage or fees that can occur.



sales@visionistech.com



www.visionistech.com

Installation

Install the hole size:

252mm (L) x 31mm (W) - 9.92in. (L) x 1.22in. (W)
(the depth of the hole is not less than 49mm (1.93in.))

Decorative plate size:

255mm (L) x 35mm (W) x 0.6mm (H)
10.04in. (L) x 1.38in. (W) x 0.02in. (H)

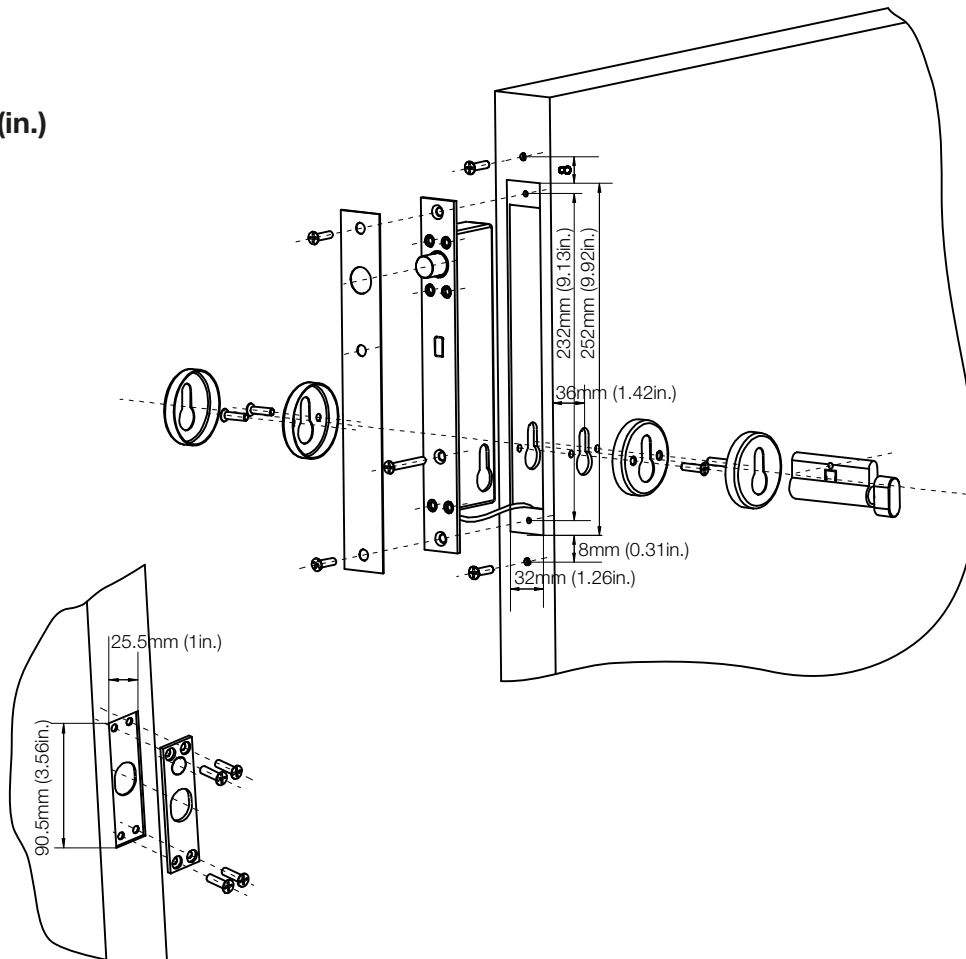
Lock face plate size:

250mm (L) x 30mm (W) x 3mm (H)
9.84in. (L) x 1.18in. (W) x 0.12in. (H)

Wire Definitions

POWER		Red	— DC12V~DC24V +
		Black	— GND
SWITCH		Yellow	— Open (Negative effective)
MAGNETIC SIGNAL		Blue	— NO (Door Sensor)
		White	— COM (Door Sensor)

mm (in.)



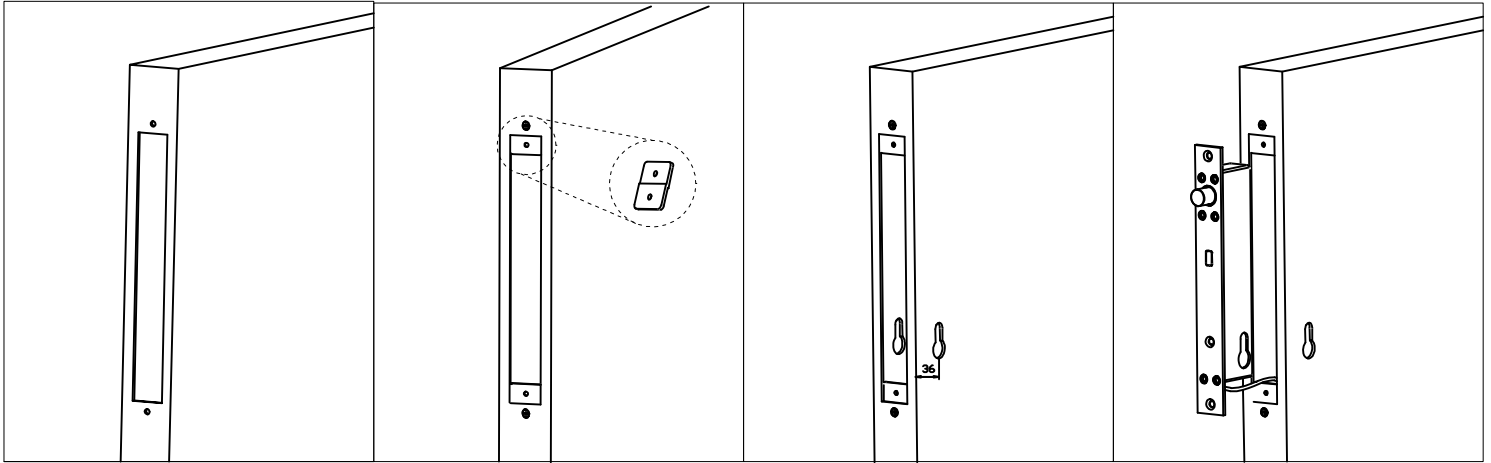
Disclaimer: VISIONIS reserve the right to go ahead with any modifications of models or features or price without forewarning. All the information and specifications stated in this document are current at the time of publication. Attention: We are not responsible for the improper installation of this kit. If you are not handy with electrical equipment you should contact a professional electrician. You will also need to check with your local Fire authority to see if you need anything else to comply with local Fire Codes. We are not responsible for any damage or fees that can occur.



sales@visionistech.com



www.visionistech.com

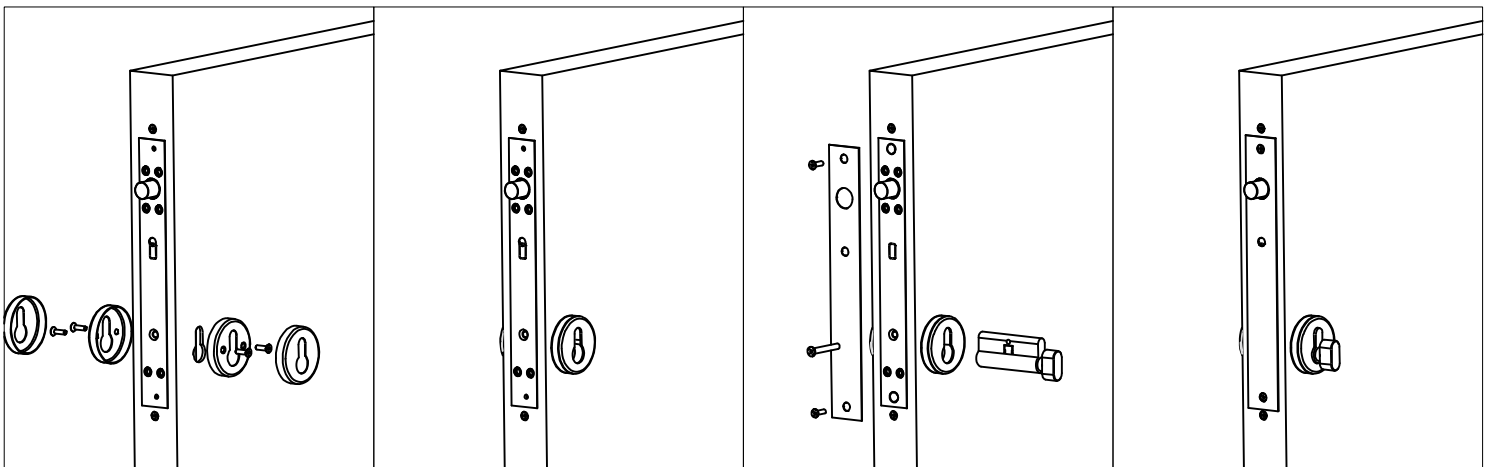


Place lock body template to match with door frame center line and cut hole.

Fix mounting plate

Cut cylinder hole

Connect wires and mount lock body on door frame and test.



Fix cylinder cover

Fix cylinder, then place decorative plate on lock body and fix to door frame.



Disclaimer: VISIONIS reserve the right to go ahead with any modifications of models or features or price without forewarning. All the information and specifications stated in this document are current at the time of publication. Attention: We are not responsible for the improper installation of this kit. If you are not handy with electrical equipment you should contact a professional electrician. You will also need to check with your local Fire authority to see if you need anything else to comply with local Fire Codes. We are not responsible for any damage or fees that can occur.



sales@visionistech.com



www.visionistech.com