



## Features

- Holding Force: 1200Kg (2600lbs)
- Voltage: DC 12V -24V
- Function: Fail Secure (with power it's unlock)
- Time Delay: 0, 3, 6s
- Operating Temperature: -20°C / +50°C (-4°F / 122°F)
- Cycles Tested: 300.000
- Size: 175Lx25Wx35H (mm) - 6.89Lx0.98Wx1.38H (in.)
- Product + Packaging Weight: 0.64Kg (1.41 pounds)

### Install the hole size:

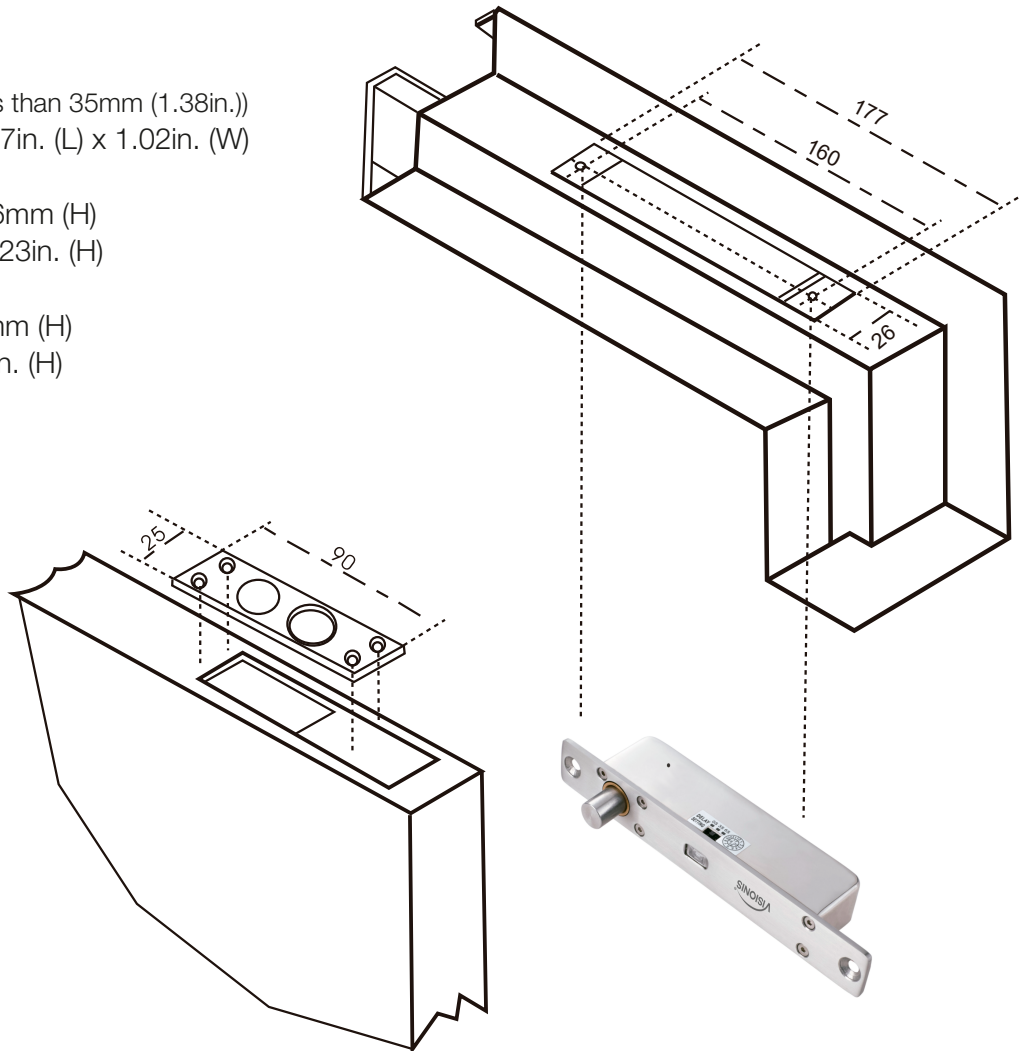
(the depth of the hole is not less than 35mm (1.38in.))  
177mm (L) x 26mm (W) - 6.97in. (L) x 1.02in. (W)

### Decorative plate size:

180mm (L) x 30mm (W) x 0.6mm (H)  
7.09in. (L) x 1.18in. (W) x 0.023in. (H)

### Lock face plate size:

175mm (L) x 25mm (W) x 3mm (H)  
6.9in. (L) x 0.98in. (W) x 0.12in. (H)



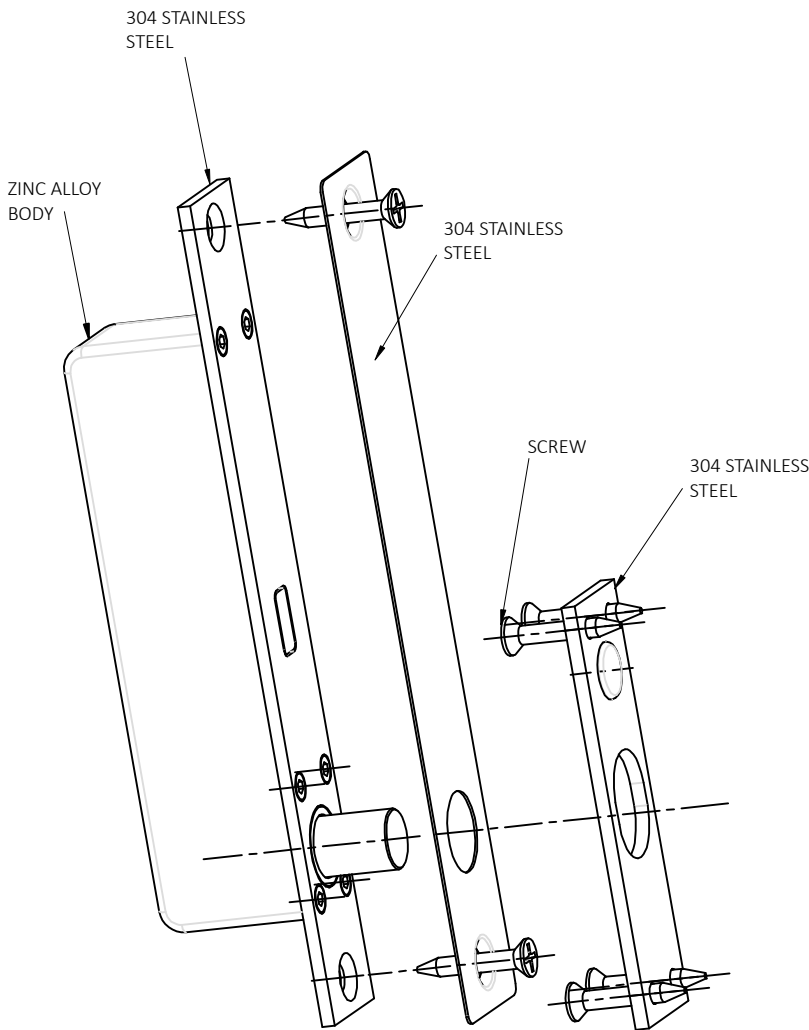
**Disclaimer:** VISIONIS reserve the right to go ahead with any modifications of models or features or price without forewarning. All the information and specifications stated in this document are current at the time of publication. Attention: We are not responsible for the improper installation of this kit. If you are not handy with electrical equipment you should contact a professional electrician. You will also need to check with your local Fire authority to see if you need anything else to comply with local Fire Codes. We are not responsible for any damage or fees that can occur.



[sales@visionistech.com](mailto:sales@visionistech.com)

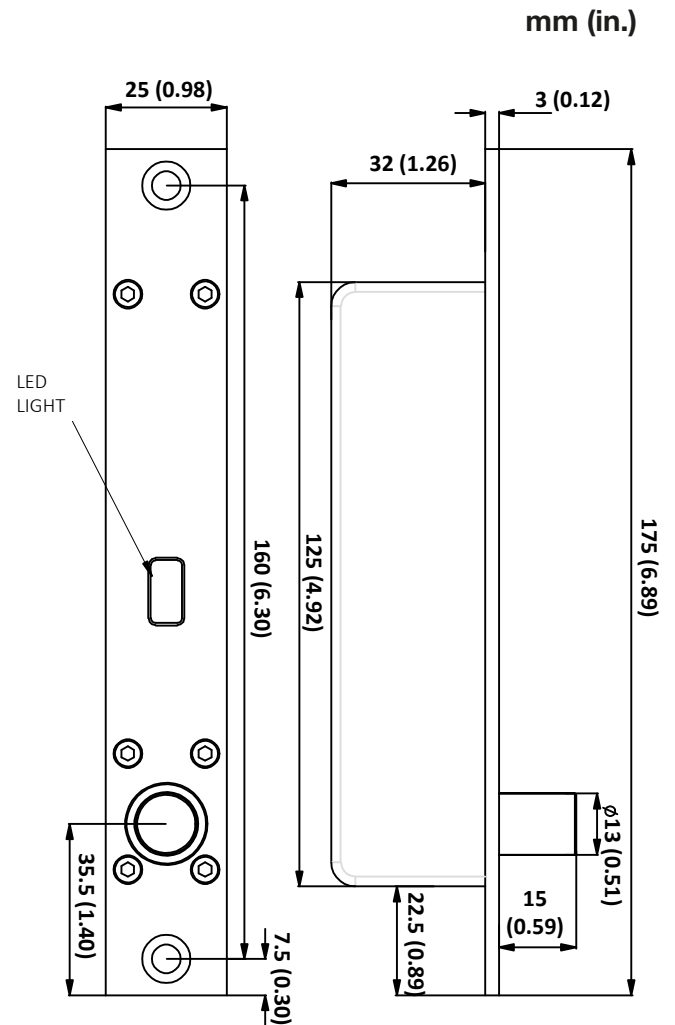


[www.visionistech.com](http://www.visionistech.com)



**Wire Definitions**

- █ Red — DC12V~DC24V +
- █ Black — GND
- █ Yellow — push button switch
- White — door sensor COM
- █ Blue — door sensor NO



**Disclaimer:** VISIONIS reserve the right to go ahead with any modifications of models or features or price without forewarning. All the information and specifications stated in this document are current at the time of publication. Attention: We are not responsible for the improper installation of this kit. If you are not handy with electrical equipment you should contact a professional electrician. You will also need to check with your local Fire authority to see if you need anything else to comply with local Fire Codes. We are not responsible for any damage or fees that can occur.



sales@visionistech.com

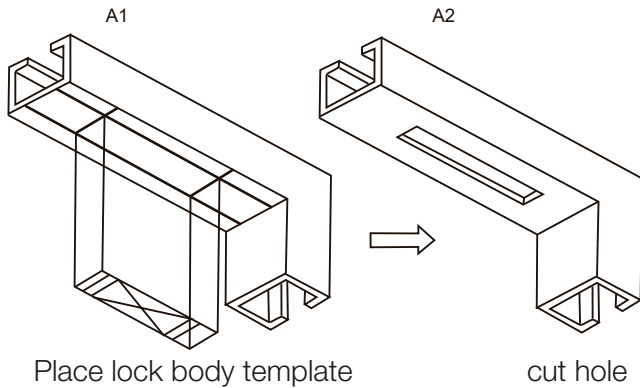
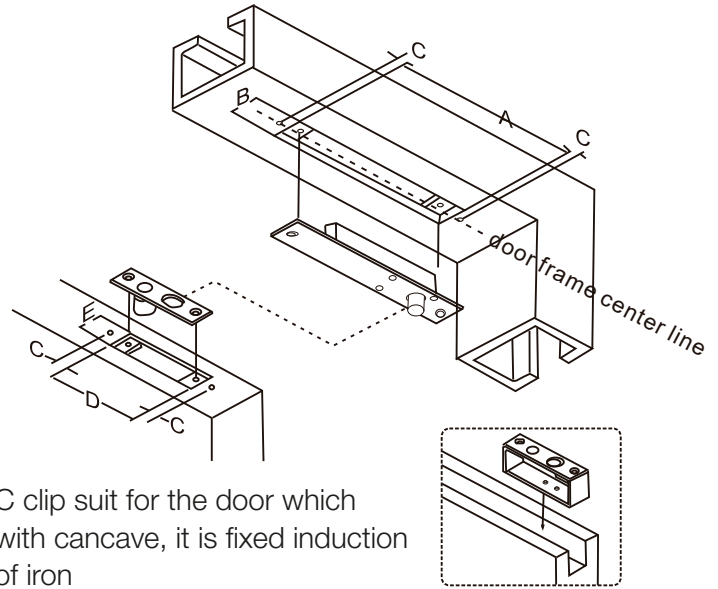


www.visionistech.com

## Installation

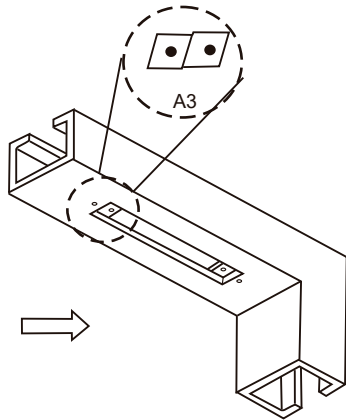
The following is dimensions for installation.

	<b>A</b>	<b>B</b>	<b>C</b>	<b>D</b>	<b>E</b>
Dimension	<b>177</b>	<b>26</b>	<b>12</b>	<b>91</b>	<b>26</b>

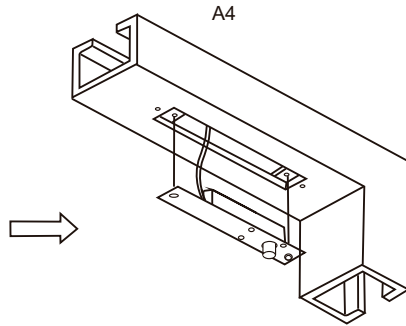


Place lock body template to match with door frame center line

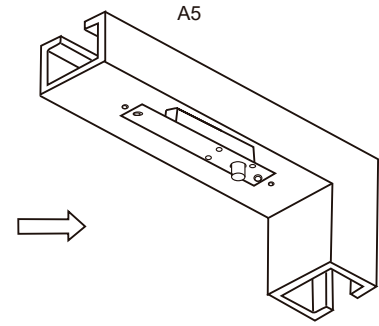
cut hole



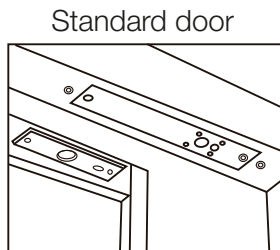
Fix mounting plate  
(For hollow metal frame)



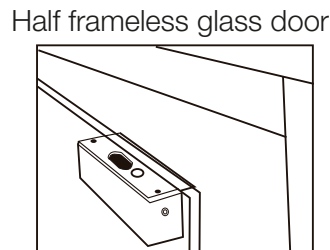
Connect wires



Mount lock body on the door frame and test



B1



B2



**Disclaimer:** VISIONIS reserve the right to go ahead with any modifications of models or features or price without forewarning. All the information and specifications stated in this document are current at the time of publication. Attention: We are not responsible for the improper installation of this kit. If you are not handy with electrical equipment you should contact a professional electrician. You will also need to check with your local Fire authority to see if you need anything else to comply with local Fire Codes. We are not responsible for any damage or fees that can occur.



sales@visionistech.com



www.visionistech.com