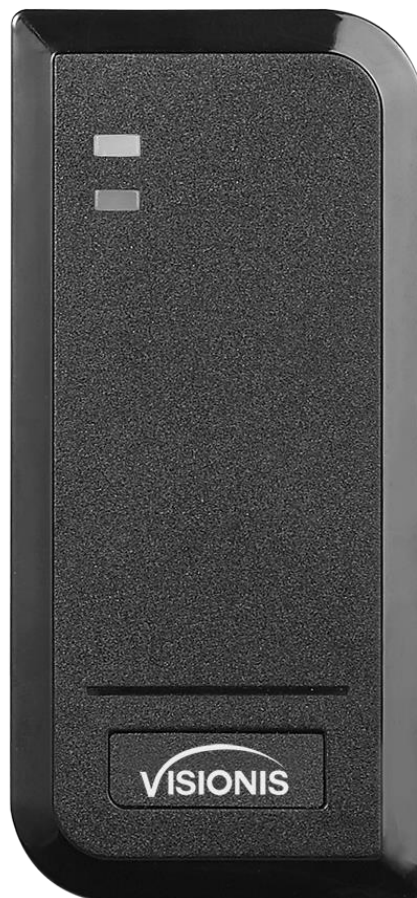




**Access Control Outdoor IP66 Weatherproof
Card Reader Standalone No Software 125KHz
EM Cards Compatible 2,000 Users**

Este producto está discontinuado



**VIS-3006/VIS-3007
User Manual**

INTRODUCTION

The VIS-3006/VIS-3007 is a compact, waterproof stand-alone programmable access control system that provides proximity entry for up to 2000 users. It uses Atmel microcontroller assures maximum performance in any environment, and the low-power circuit makes its service life prolonged.

The product unique feature is simple in design, easy operation, and high reliability.

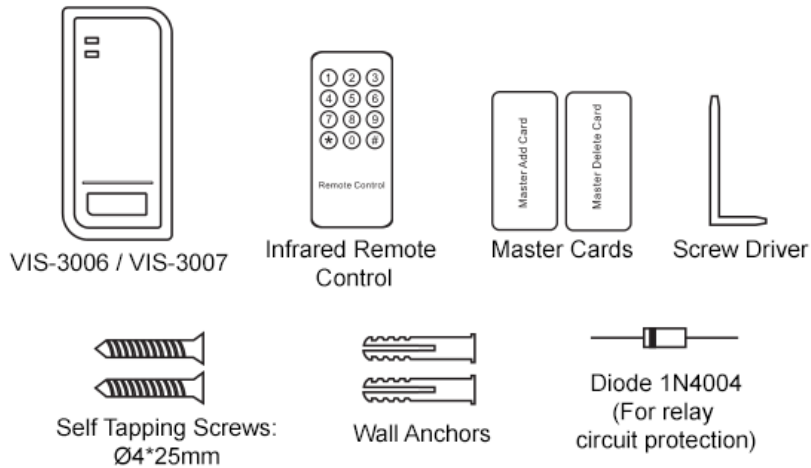
Features

- Waterproof, conform to IP66
- Read 125KHz EM card
- One programmable relay operation
- Pulse mode, Latch mode
- Remote infrared programmer
- 2000 users
- Card block enrolment
- Tri-colour LED status display
- Built in light dependent resistor (LDR) for anti tamper
- Buzzer for audible or silent mode
- Low temperature resistance (-40°C)

Specifications:

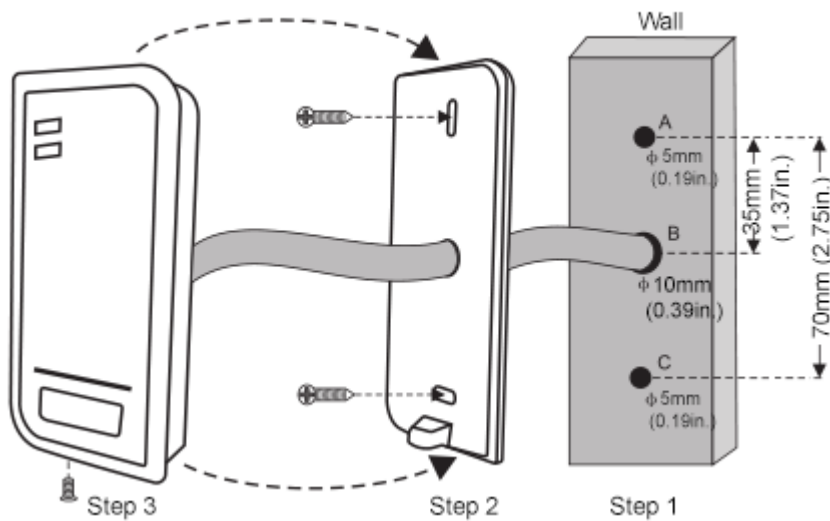
User Capacity Card	2000 EM card
Operating Voltage Idle Current	9~18V DC <40mA
Proximity Card Reader Radio Technology Read Range	EM 125KHz Proximity Card 3-10cm (1.18~3.93in.)
Wiring Connections	Relay Output, Exit Button
Relay Adjustable Relay Output Time Lock Output Load	One (NO, NC, Common) 1-99 Seconds (5 seconds default) 2 Amp Maximum
Environment Operating Temperature Operating Humidity	Meets IP66 -40°C ~60°C (-40°F ~ 140°F) 20%RH-98%RH
Physical Colour Dimensions Unit Weight Shipping Weight	ABS Shell Black 102L x 48An x 20Al (mm) – 4.01L x 1.88An x 0.78Al 100g 150g

Carton Inventory



INSTALLATION

- Remove the back cover from the unit
- Drill 2 holes (A,C) on the wall for the screws and one hole for the cable
- Knock the supplied rubber bungs to the screw holes (A,C)
- Fix the back cover firmly on the wall with 4 flat head screws
- Thread the cable through the cable hole(B)
- Attach the unit to the back cover

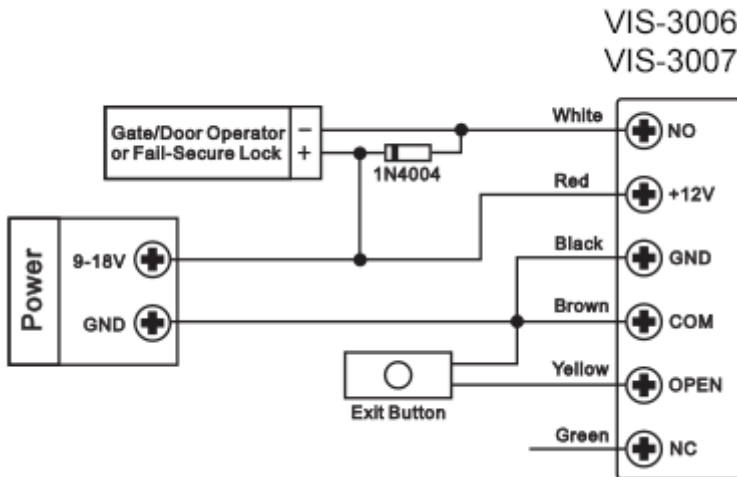
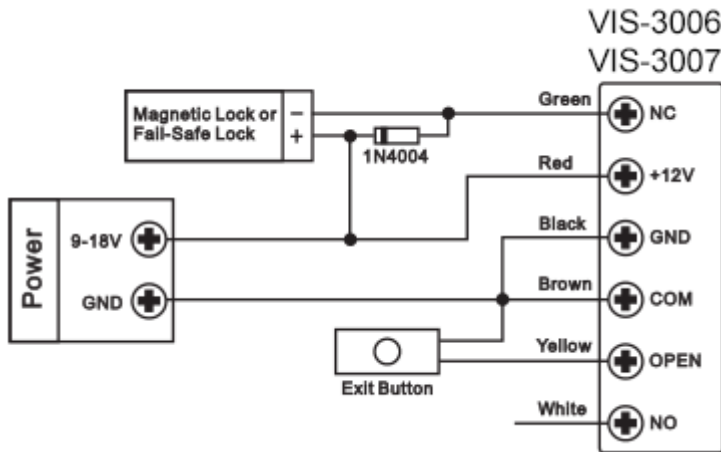


Wiring

Colour	Function	Notes
Red	Power +	9~18 Volts DC Regulated Power Input
Black	GND	Ground
White	NO	Normally Open Relay Output
Brown	COM	Common Connection for Relay Output
Green	NC	Normally closed Relay Output
Yellow	OPEN	Request to Exit input(REX)

Connection Diagram

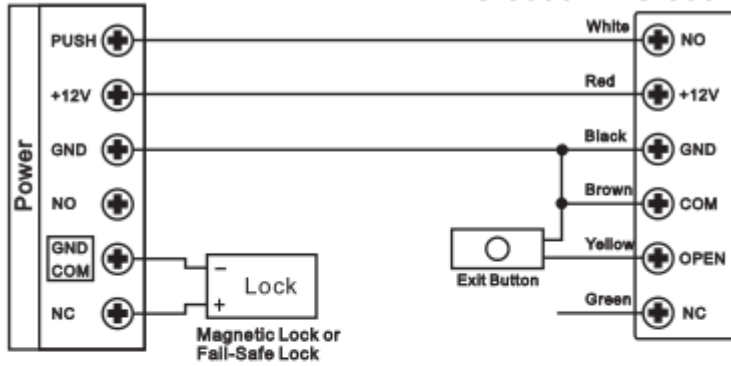
Common power supply:



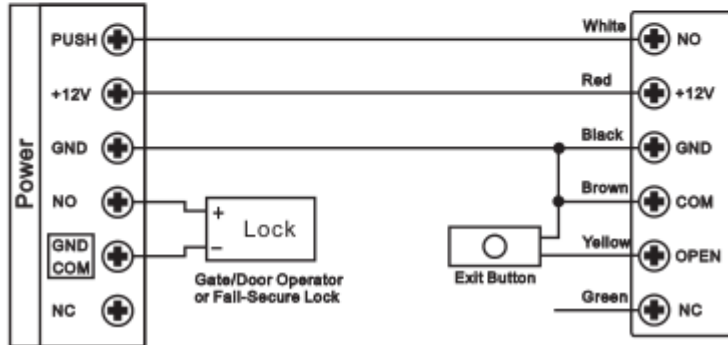
Attention: Install a 1N4004 or equivalent diode is needed when use a common power supply, or the reader might be damaged. (1N4004 is included in the packing)

Access Control Power Supply:

VIS-3006 / VIS-3007



VIS-3006 / VIS-3007



PROGRAMMING

Programming will vary depending on access configuration. Follow the instructions according to your access configuration.

General Programming Information

- **Remote Control:** Please use the Infrared Remote Control to program the Reader.
- **User ID number:** Assign a user ID to the access card in order to track it. The user ID number can be any number from 1~2000.

IMPORTANT: User IDs do not have to be preceded with any leading zeros. Recording of User ID is critical. Modifications to the user require the User ID be available.

- **Proximity Card:** Any 125KHz industry standard 26 bit EM Proximity card or Tag.

Enter and Exit Program mode

Programming Step	Keystroke Combination
Enter Program Mode	* (Master Code) # Factory default is 123456
Exit Program Mode	*

Set Master Code

Programming Step	Keystroke Combination
1. Enter Program Mode	* (Master Code) #
2. Update Master Code	0 (New Master Code) # (Repeat New Master Code) #
3. Exit Program Mode	*

Add User Cards

Programming Step	Keystroke Combination
1. Enter Program Mode	* (Master Code) #
2. Add Card: Using Auto ID (Allows S1/S2 to assign Card to next available User ID number)	1 (Read Card) # The cards can be added continuously.
OR	
2. Add Card: Select Specific ID (Allows manager to define a specific User ID to associate the card to)	1 (User ID) # (Read Card) # The user ID is any number from 1-2000.
OR	
2. Add Card: by Card Number	1 (Input 8/10 digits Card number) #
OR	
2. Add Card: Block Enrollment (Allows manager to add up to 2000 cards to the Reader in a single step.) Takes 3 minutes to program.	1 (User ID number) # (Card quantity) # #(The first card number) # Cards' number must be consecutive; Card quantity is the number of card to be enrolled.
3. Exit	*

Delete User Cards

Programming Step	Keystroke Combination
1. Enter Program Mode	* (Master Code) #
2. Delete Card: By reading card	2 (Read Card) # The cards can be deleted continuously.
OR	
2. Delete Card: Select Specific ID	2 (User ID) # The user ID is any number from 1-2000.
OR	
2. Delete Card: by Card Number	2 (Input 8/10 digits Card number) #

Set Relay Configuration

The relay configuration sets the behaviour of the output relay on activation.

Programming Step	Keystroke Combination
1. Enter Program Mode	* (Master Code) #
2. Pulse Mode	3 (1-99) # The relay time is 1-99 seconds. (1 is 50mS.) Default is 5S.
OR	

2. Latch Mode	3 0 # Sets the relay to ON/OFF Latch mode
3. Exit	*

Set Strike-out Alarm

The strike-out alarm will engage after 10 failed card attempts. Factory is OFF. The strike-out alarm can be set to deny access for 10 minutes after engaging or it can be set disengage only after entering a valid card or Master code.

Programming Step	Keystroke Combination
1. Enter Program Mode	* (Master Code) #
2. Strike-Out OFF OR 2. Strike-Out ON OR 2. Strike-Out ON (Alarm) Set alarm time	4 0 # (factory default) 4 1 # Access will be denied for 10 minutes 4 2 # 5 (0 ~ 30) # , factory default is 1 minute Enter Master code # or valid user card to silence
3. Exit	*

Set Audible and Visual Response

Programming Step	Keystroke Combination
1. Enter Program Mode	* (Master Code) #
2. Control LED OR 2. Control Sounds	OFF = 6 1 # ON = 6 2 # OFF = 6 3 # ON = 6 4 # (Factory defaults are ON)
3. Exit	*

Others

Users Operation:

Open the door: Read the valid user card, the door will open.

Remove Alarm: Read valid user card, or Input Master code #

Reset to Factory Default:

To reset to factory default, power off, press the Exit Button, hold it and power on, there will be two beeps, and the LED light turns into yellow, release the Exit Button, then read any two 125KHz EM card, the LED turn into red, mean reset to factory default successfully. Of the two cards reading, the first one is Master Add Card, and the second one is Master Delete Card.

Remarks: Reset to factory default, the user's information is still retained.

Erase all Cards

This will delete ALL User data.

- 1, Enter Program Mode by press: *(Master Code) #.
- 2, Press 2 and Master code again
- 3, Exit: *

All configuration data is retained.

Sound and Light indication

Operation Status	LED	Buzzer
Stand by	Red light bright	-
Enter into programming mode	Red light shines	One beep
In the programming mode	Yellow light bright	One beep
Operation error	-	Three beeps
Exit from the programming mode	Red light bright	One beep
Open lock	Green light bright	One beep
Alarm	Red light Shines quickly	Beeps

VIS-3006 / VIS-3007 Simplified Instruction	
Function description	Operation
Enter the programming mode	*- 123456 - # then you can do the programming (123456 is the default factory master code)
Change the master code	0 - new code - # - repeat the new code - # (code: 6 digits)
Add card user	1- Read Card - # (can add Cards continuously)
Delete card user	2 - Read Card -# (can delete Cards continuously)
Exit from the programming mode	*
How do release the door	
Card User	Read card