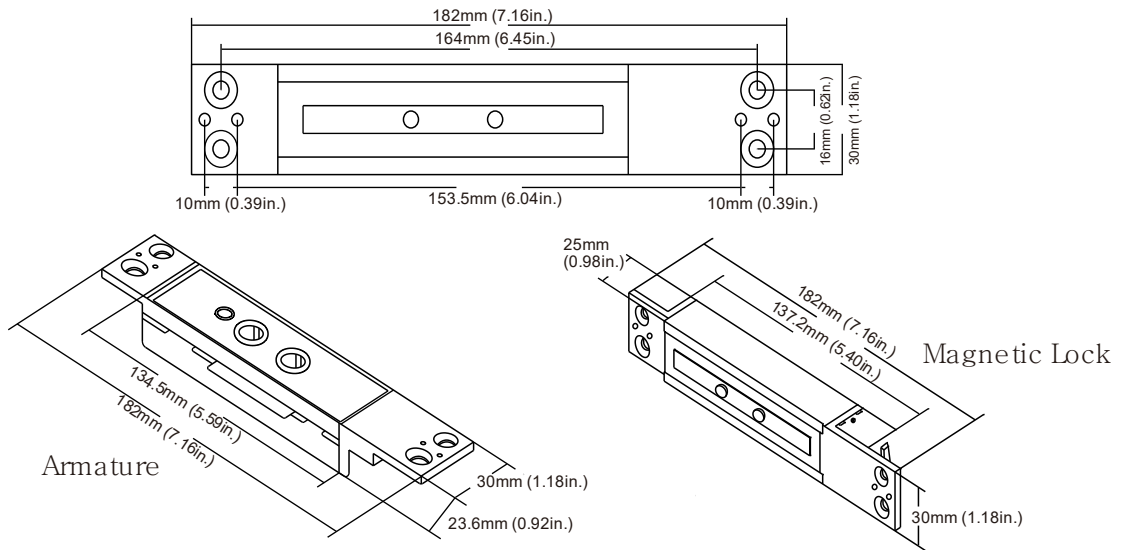


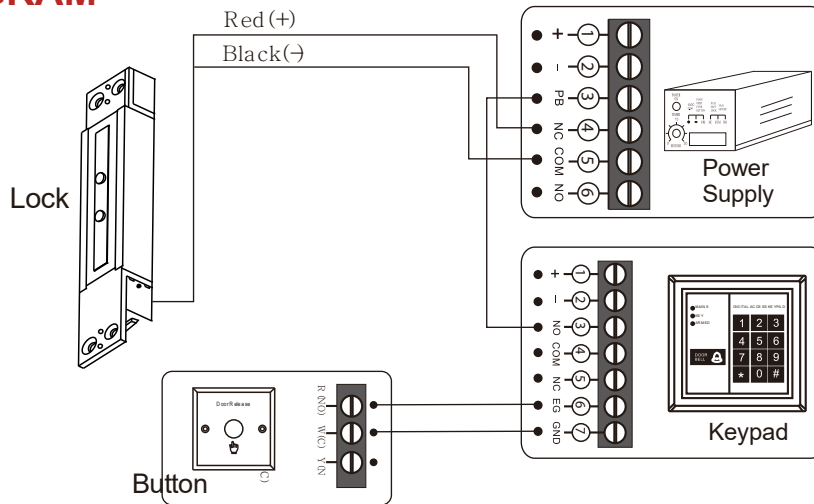
| Model Color | 9 PIN Connection | | |
|---------------|---------------------------|---------------|--------------------------|
| Red | DC 12V | Black | GND |
| Purple | Purple wire of the light | Orange | Orange wire of the light |
| Green | Door Positions Sensor NO | ⊗ | Dangling |
| Brown | Lock Positions Sensor NC | Blue | Lock Status Sensor NO |
| Gary | Lock Positions Sensor COM | White | Door Status Sensor COM |

| Delay Time | 0S | 5S | 10S | 15S |
|------------|----|----|-----|-----|
| | | | | |

DIMENSION



WIRING DIAGRAM



Disclaimer: VISIONIS reserve the right to go ahead with any modifications of models or features or price without forewarning. All the information and specifications stated in this document are current at the time of publication. Attention: We are not responsible for the improper installation of this kit. If you are not handy with electrical equipment you should contact a professional electrician. You will also need to check with your local Fire authority to see if you need anything else to comply with local Fire Codes. We are not responsible for any damage or fees that can occur.



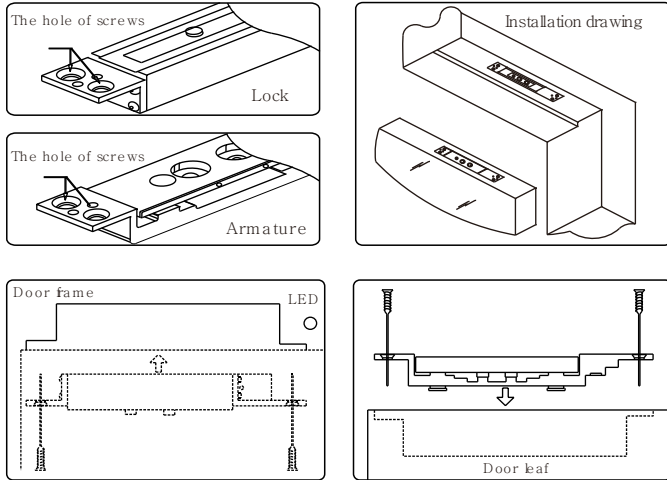
sales@visionistech.com



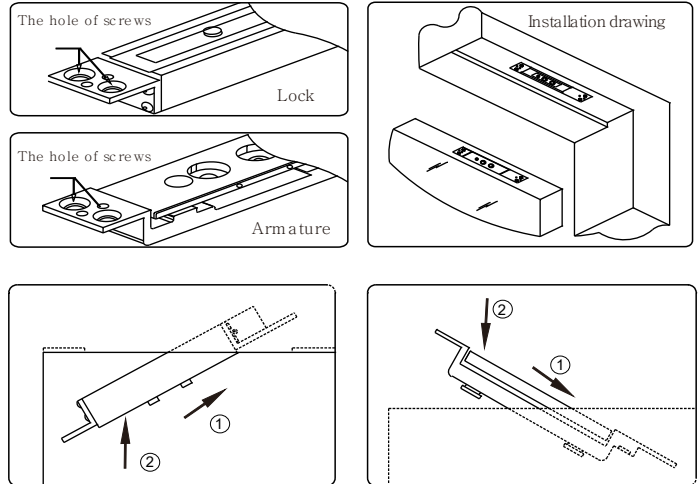
www.visionistech.com

THE COMMENTARY OF HOLES

A: The Solid Door



B: The Hollow Door

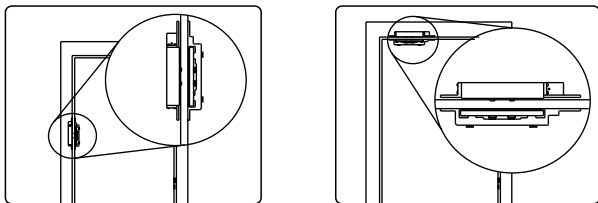


C: Use The Extended Plate

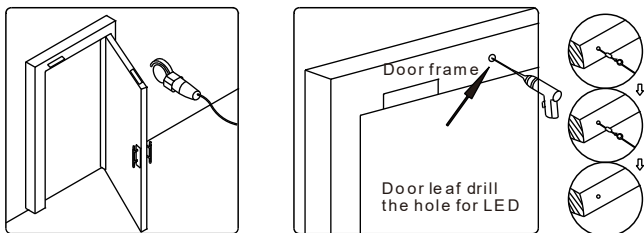


THE COMMENTARY OF INSTALLATION

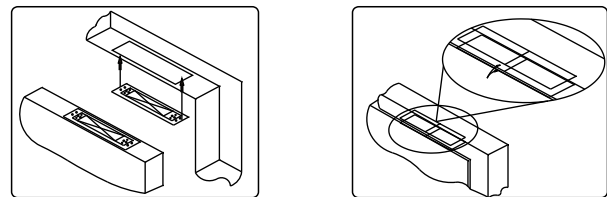
Step 1: Confirm the position of installation
It can be installed upon the door or the side of the door



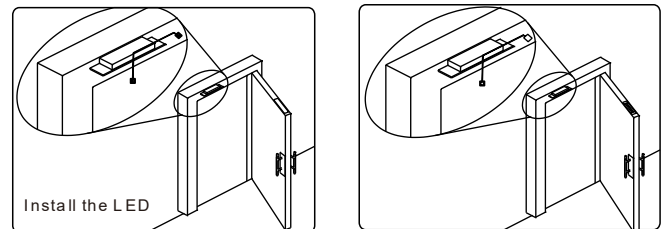
Step 3: Drill the hole
Drill the hole according to the sticker, and drill the hole for the LED on the door frame



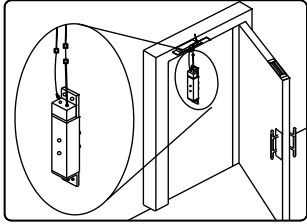
Step 2: Paste the sticker
Note: Adjust the sticker to assure the proper alignment



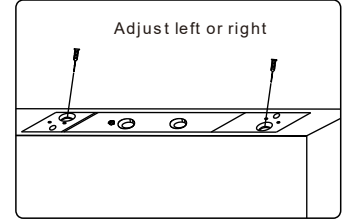
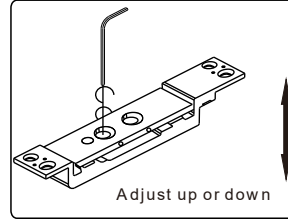
Step 4: Wiring
Install the led on the door frame, and connect the 9 pin



Step 5: Fix the magnetic lock and armature
Connect all the wire to the shear lock body, then adjust the delay time, then fix the magnetic lock and armature



Step 6: Connect the electricity and adjust
Check the operation is correct or not when connecting electricity, please adjust a little the armature when they can't adsorb



Disclaimer: VISIONIS reserve the right to go ahead with any modifications of models or features or price without forewarning. All the information and specifications stated in this document are current at the time of publication. Attention: We are not responsible for the improper installation of this kit. If you are not handy with electrical equipment you should contact a professional electrician. You will also need to check with your local Fire authority to see if you need anything else to comply with local Fire Codes. We are not responsible for any damage or fees that can occur.



sales@visionistech.com



www.visionistech.com